

**FLOOR PLAN**

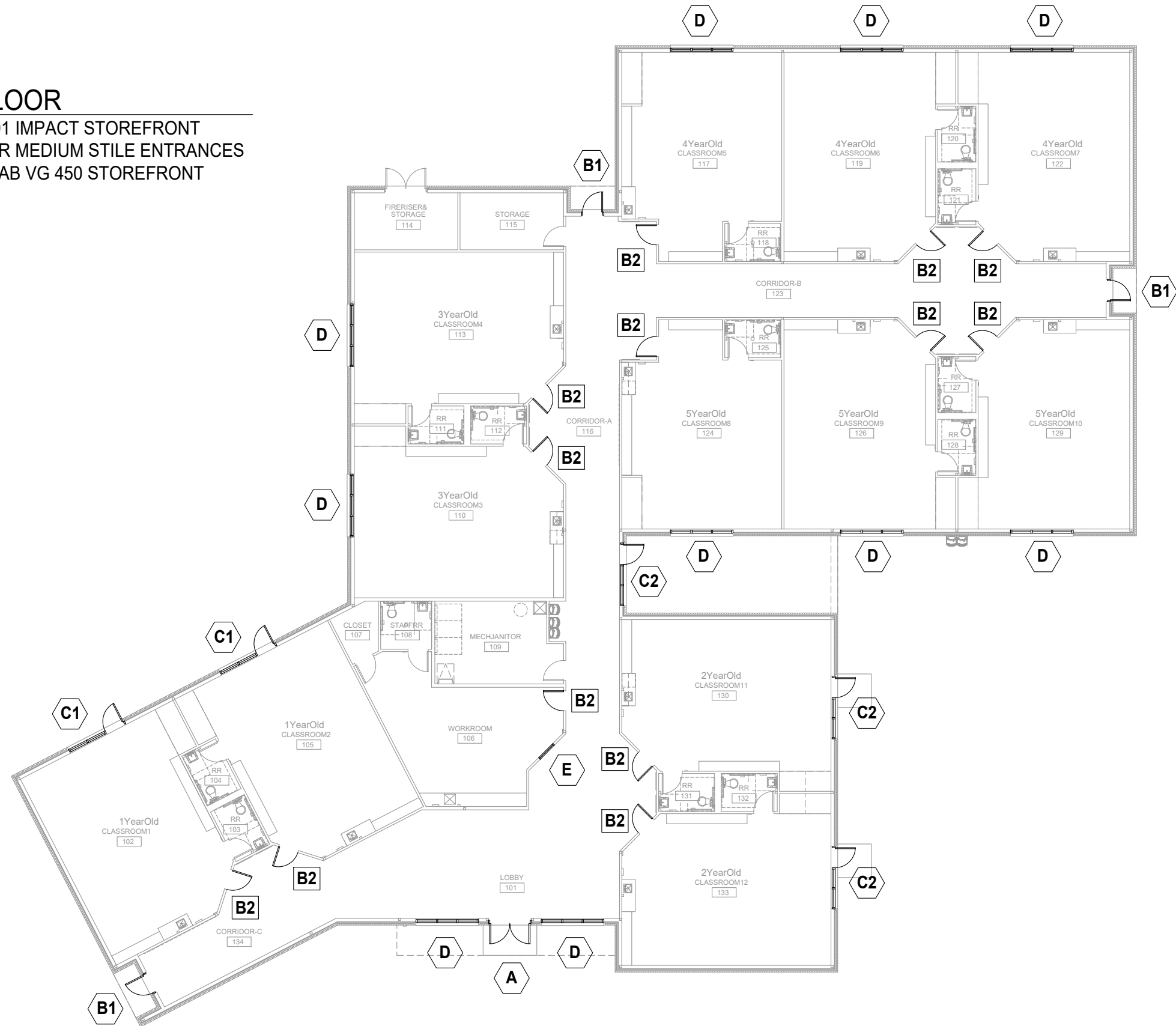
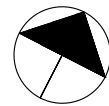
SCALE: NTS  
 ARCH REF: 1/A2.1  
 QUANTITY BY TYPE:  
 TYPE A - 1  
 TYPE B1 - 3  
 TYPE B2 - 13  
 TYPE C1 - 2  
 TYPE C2 - 3  
 TYPE D - 10  
 TYPE E - 1

**01**

**GROUND FLOOR**

KAWNEER IR 501 IMPACT STOREFRONT  
 KAWNEER 350 IR MEDIUM STILE ENTRANCES  
 KAWNEER TRIFAB VG 450 STOREFRONT

PLAN NORTH

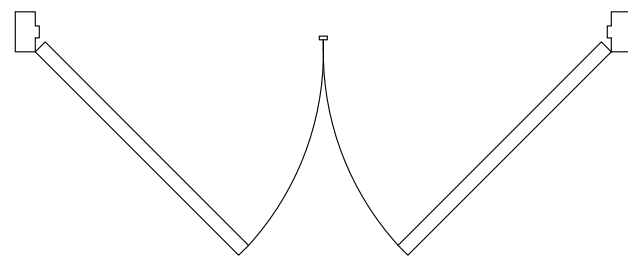
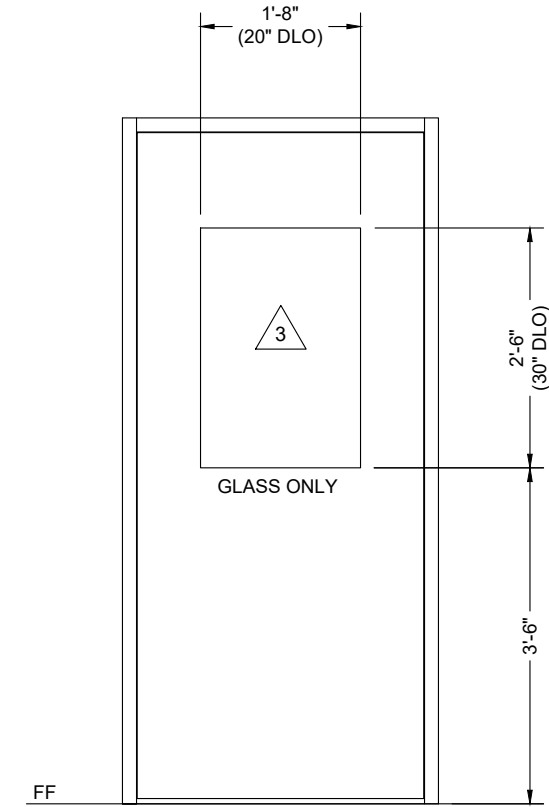
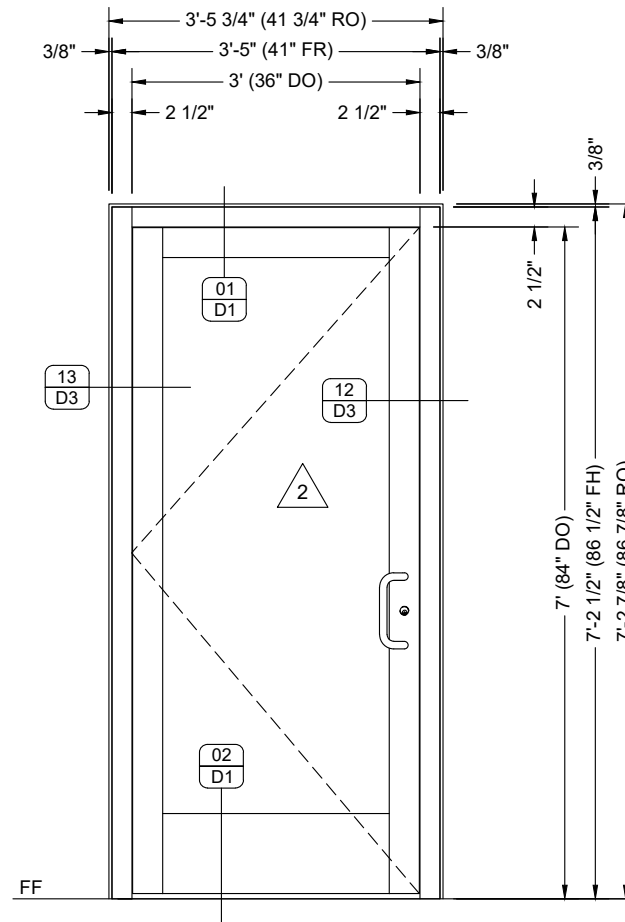
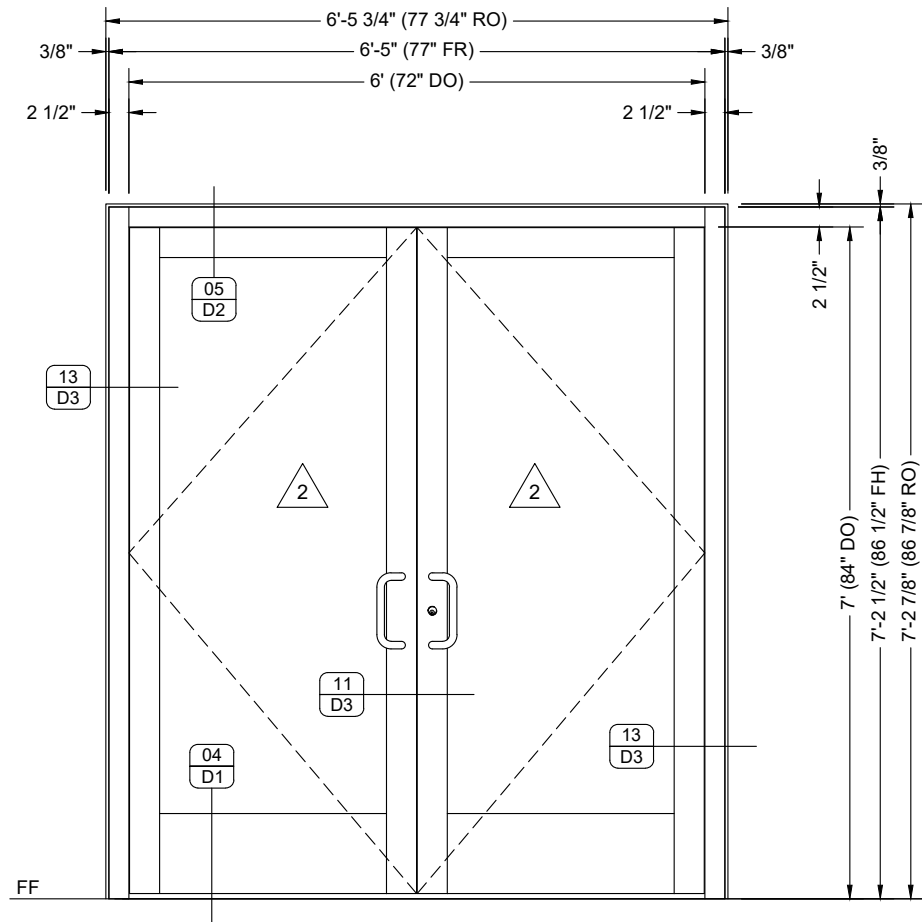


NO.	DATE	BY	DESCRIPTION
1	04/11/22	fp	First Submittal

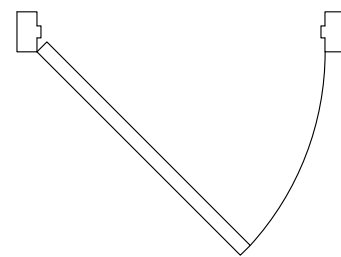
**EVINS GLASS SERVICE, INC**  
 101 N.P.I.D., CORPUS CHRISTI, TX 78406  
 WORK (361) 884-3995 FAX (361) 884-4262

PROJECT: JEWISH COMMUNITY CENTER  
**NEW CLASSROOM BUILDING**  
 ARCHITECT: LUDDEKE ARCHITECTURAL DESIGN GROUP  
 (361) 867-7628  
 GENERAL CONTRACTOR: SOUTH TEXAS BUILDING PARTNERS  
 (361) 298-6462

PROJECT NO.	EGS-2204-01
DRAWN BY	fp
DATE	04/11/22
SCALE	NTS
DRAWING	FLOOR PLANS
SHEET	P1



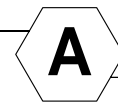
**HARDWARE:**  
 CONTINUOUS GEAR HINGE  
 KAWNEER 1686 CONCEALED VERTICAL ROD  
 KAWNEER LCN4040 SURFACE-MOUNTED CLOSER  
 KAWNEER CO 9/CP PUSH/PULL SET



**HARDWARE:**  
 CONTINUOUS GEAR HINGE  
 KAWNEER 1686 CONCEALED VERTICAL ROD  
 KAWNEER LCN4040 SURFACE-MOUNTED CLOSER  
 KAWNEER CO 9/CP PUSH/PULL SET

**ELEVATION**

QUANTITY: 01  
 SCALE: 1/2" = 1'-0"  
 ARCH REF: 1/A2.1  
 1/A4.1 1/A5.2 3/A5.2 5/A5.2 2/A6.1



**EXT STOREFRONT**

KAWNEER 350 IR MEDIUM STILE ENTRANCE DOORS

**ELEVATION**

QUANTITY: 03  
 SCALE: 1/2" = 1'-0"  
 ARCH REF: 1/A2.1 2/A4.1 3/A4.1 4/A4.1 1/A5.1 2/A6.1

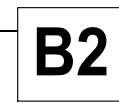


**EXT STOREFRONT**

KAWNEER 350 IR MEDIUM STILE ENTRANCE DOORS

**ELEVATION**

QUANTITY: 13  
 SCALE: 1/2" = 1'-0"  
 ARCH REF: 1/A2.1 DS/A6.1 1/A6.1



**INT GLAZING**

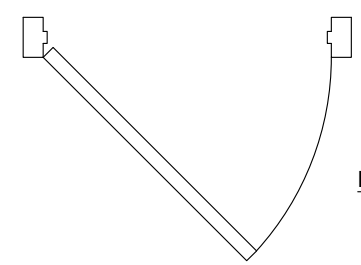
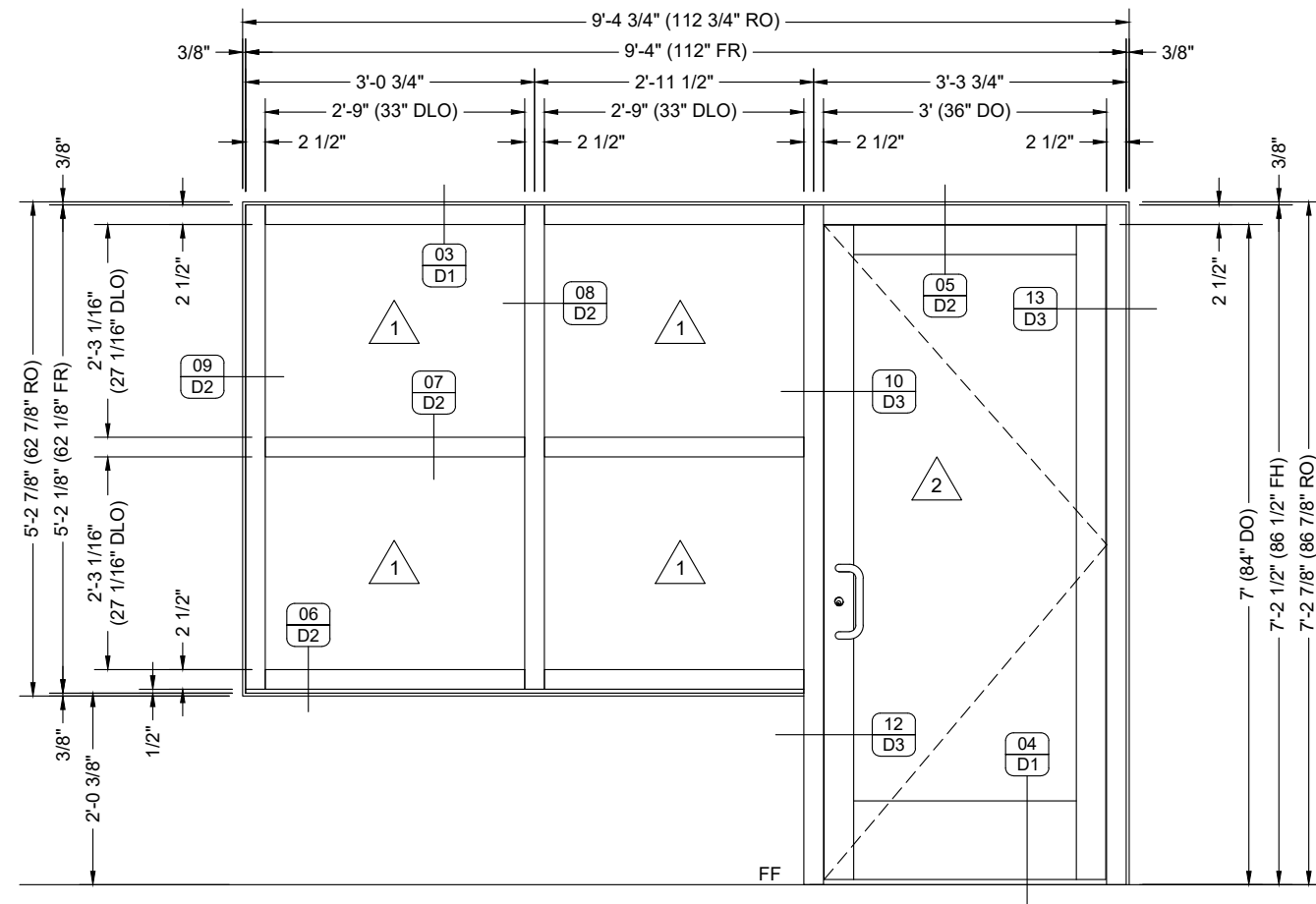
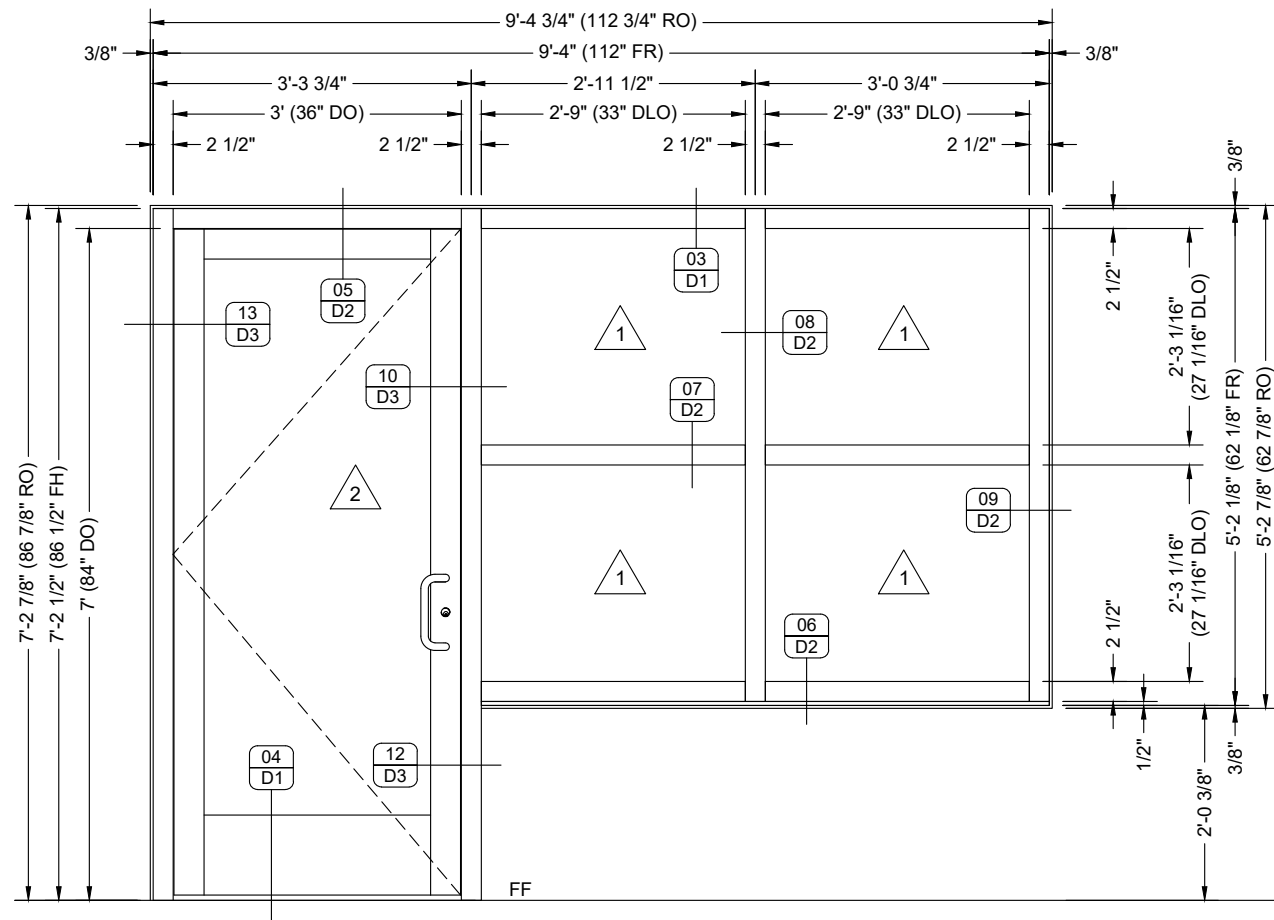
GLASS ONLY

**EVINS GLASS SERVICE, INC**  
 101 N.P.I.D., CORPUS CHRISTI, TX 78406  
 WORK (361) 884-3995 FAX (361) 884-4262

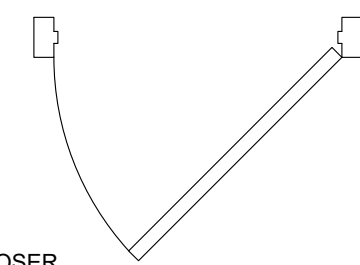
PROJECT: JEWISH COMMUNITY CENTER  
**NEW CLASSROOM BUILDING**  
 ARCHITECT: LUDDEKE ARCHITECTURAL DESIGN GROUP  
 (361) 857-7628  
 GENERAL CONTRACTOR: SOUTH TEXAS BUILDING PARTNERS  
 (361) 298-5462

PROJECT NO.		EGS-2204-01
DRAWN BY	DATE	fp 04/11/22
SCALE		1/2" = 1'-0"
DRAWING		ELEVATIONS
SHEET		E1

NO.	DATE	DESCRIPTION
1	04/11/22	First Submittal



**HARDWARE:**  
 CONTINUOUS GEAR HINGE  
 KAWNEER 1686 CONCEALED VERTICAL ROD  
 KAWNEER LCN4040 SURFACE-MOUNTED CLOSER  
 KAWNEER CO 9/CP PUSH/PULL SET



**HARDWARE:**  
 CONTINUOUS GEAR HINGE  
 KAWNEER 1686 CONCEALED VERTICAL ROD  
 KAWNEER LCN4040 SURFACE-MOUNTED CLOSER  
 KAWNEER CO 9/CP PUSH/PULL SET

**ELEVATION**

QUANTITY: 02  
 SCALE: 1/2" = 1'-0"  
 ARCH REF: 1/A2.1  
 2/A4.1  
 3/A5.1



**EXT STOREFRONT**

KAWNEER IR 501 IMPACTY ALUMINUM STOREFRONT  
 KAWNEER 350 IR MEDIUM STILE ENTRANCE DOORS

3/A5.2 4/A5.2 5/A5.2 2/A6.1

**ELEVATION**

QUANTITY: 03  
 SCALE: 1/2" = 1'-0"  
 ARCH REF: 1/A2.1  
 4/A4.1  
 3/A5.1



**EXT STOREFRONT**

KAWNEER IR 501 IMPACTY ALUMINUM STOREFRONT  
 KAWNEER 350 IR MEDIUM STILE ENTRANCE DOORS

3/A5.2 4/A5.2 5/A5.2 2/A6.1

SUB	BY	DATE	DESCRIPTION
1	fp	04/11/22	First Submittal

**EVINS GLASS SERVICE, INC**  
 101 N.P.I.D., CORPUS CHRISTI, TX 78406  
 WORK (361) 884-3995 FAX (361) 884-4262

PROJECT: JEWISH COMMUNITY CENTER  
**NEW CLASSROOM BUILDING**  
 ARCHITECT: LUDDEKE ARCHITECTURAL DESIGN GROUP  
 (861) 857-7628  
 GENERAL CONTRACTOR: SOUTH TEXAS BUILDING PARTNERS  
 (881) 298-5462

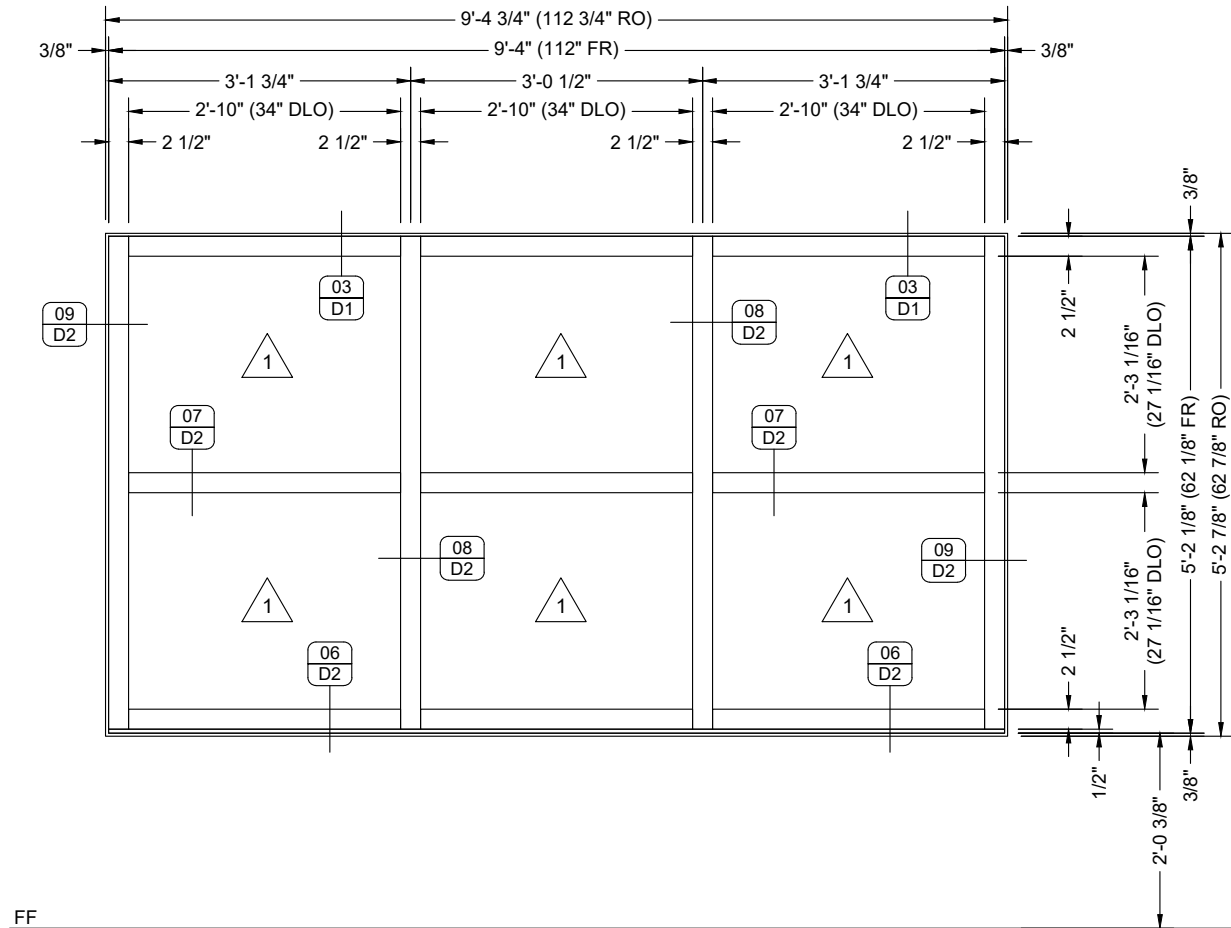
PROJECT NO.	EGS-2204-01
DRAWN BY	fp
DATE	04/11/22
SCALE	1/2" = 1'-0"
DRAWING	ELEVATIONS
SHEET	E2

NO.	DATE	DESCRIPTION
1	04/11/22	First Submittal

**EVINS GLASS SERVICE, INC**  
 101 N.P.I.D., CORPUS CHRISTI, TX 78406  
 WORK (361) 884-3995 FAX (361) 884-4262

PROJECT: JEWISH COMMUNITY CENTER  
**NEW CLASSROOM BUILDING**  
 ARCHITECT: LUDDEKE ARCHITECTURAL DESIGN GROUP  
 (361) 857-7628  
 GENERAL CONTRACTOR: SOUTH TEXAS BUILDING PARTNERS  
 (891) 298-5462

PROJECT NO.	EGS-2204-01
DRAWN BY	fp
DATE	04/11/22
SCALE	1/2" = 1'-0"
DRAWING	ELEVATIONS
SHEET	E3



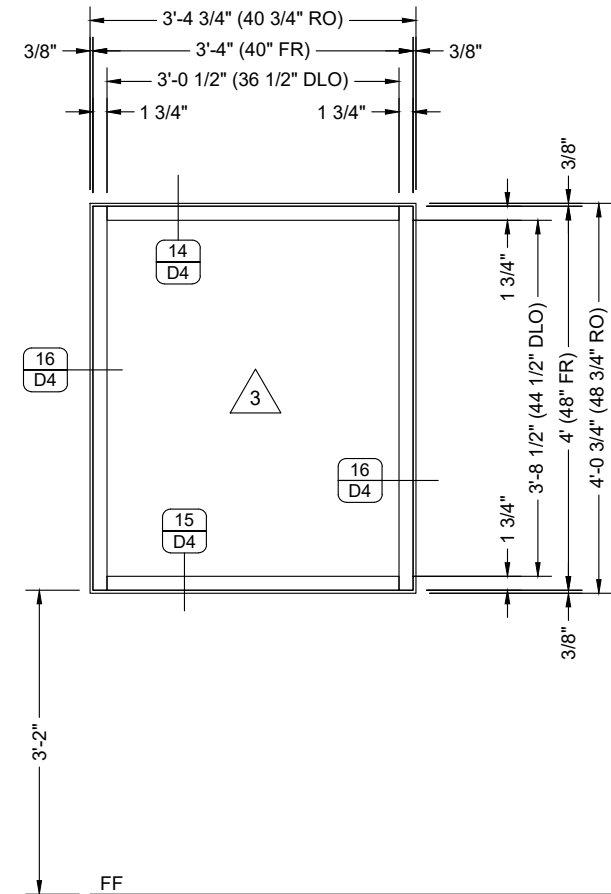
**ELEVATION**

QUANTITY: 10  
 SCALE: 1/2" = 1'-0"  
 ARCH REF: 1/A2.1  
 1/A4.1 2/A4.1 3/A4.1 3/A5.1 4/A5.2 5/A5.2 2/A6.1



**EXT STOREFRONT**

KAWNEER IR 501 IMPACTY ALUMINUM STOREFRONT



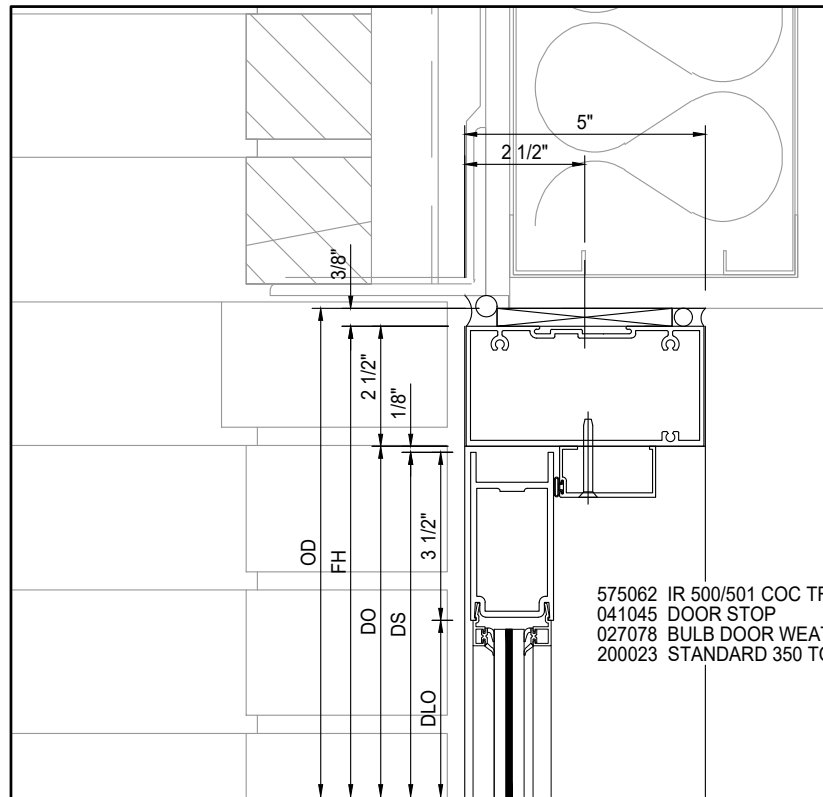
**ELEVATION**

QUANTITY: 01  
 SCALE: 1/2" = 1'-0"  
 ARCH REF: 1/A2.1  
 2/A6.1 1/A8.3



**INT STOREFRONT**

KAWNEER TRIFAB VG 450 ALUMINUM STOREFRONT



**DETAIL**

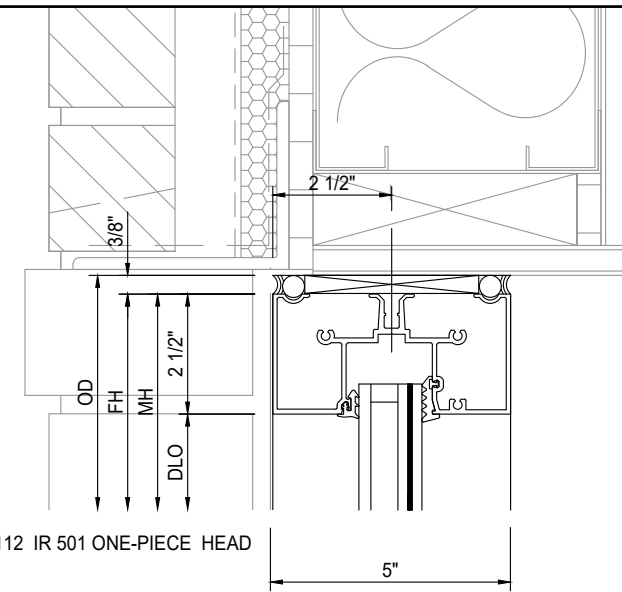
SCALE: 3" = 1'-0"  
 ARCH REF: 1/A5.1

**01**

**EXT DOOR HEADER**

KAWNEER 350 IR MEDIUM STILE ENTRANCE DOORS

575062 IR 500/501 COC TRANSOM BAR  
 041045 DOOR STOP  
 027078 BULB DOOR WEATHERING  
 200023 STANDARD 350 TOP RAIL



**DETAIL**

SCALE: 3" = 1'-0"  
 ARCH REF: 5/A5.2

**03**

**EXT HEAD**

KAWNEER IR 501 IMPACT STOREFRONT

575112 IR 501 ONE-PIECE HEAD

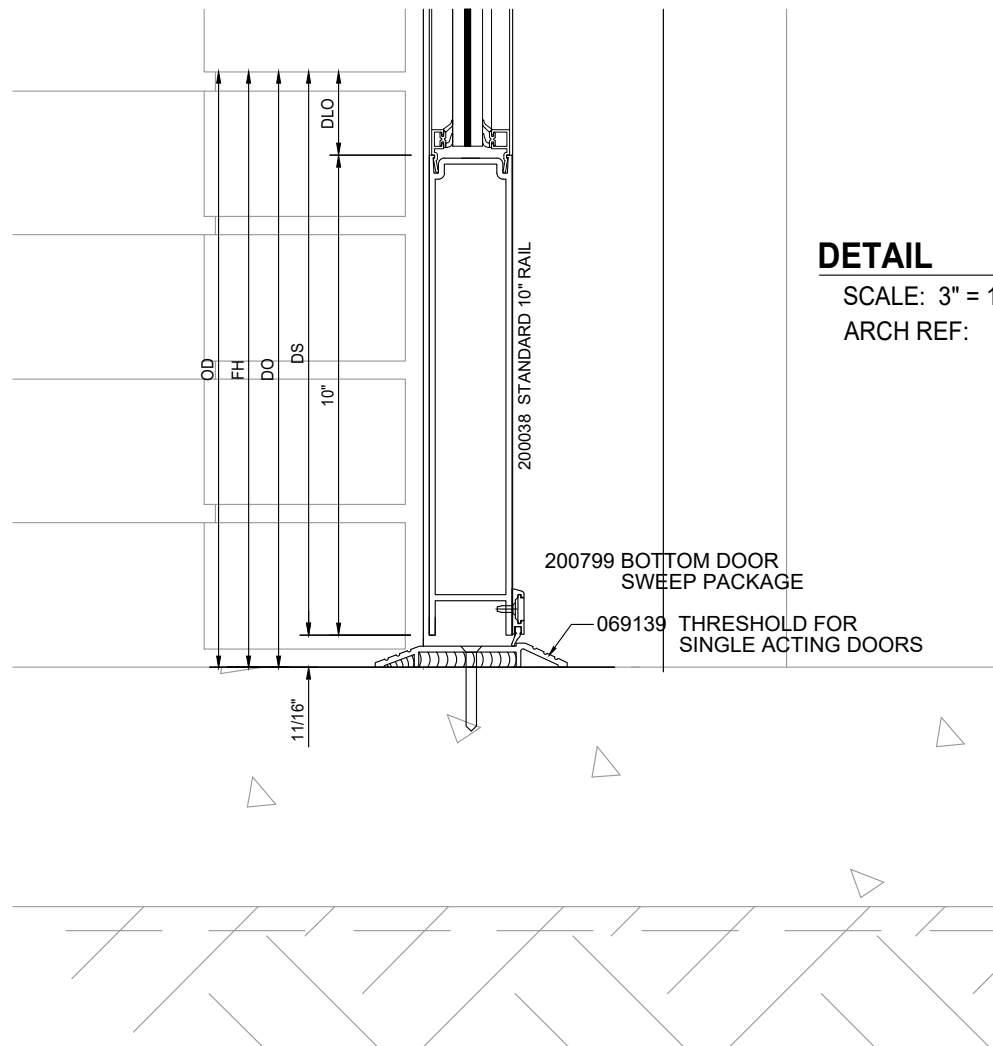
**DETAIL**

SCALE: 3" = 1'-0"  
 ARCH REF: 3/A5.2

**04**

**BOTTOM RAIL**

KAWNEER 350 IR MEDIUM STILE ENTRANCE DOORS



**DETAIL**

SCALE: 3" = 1'-0"  
 ARCH REF: 1/A5.1

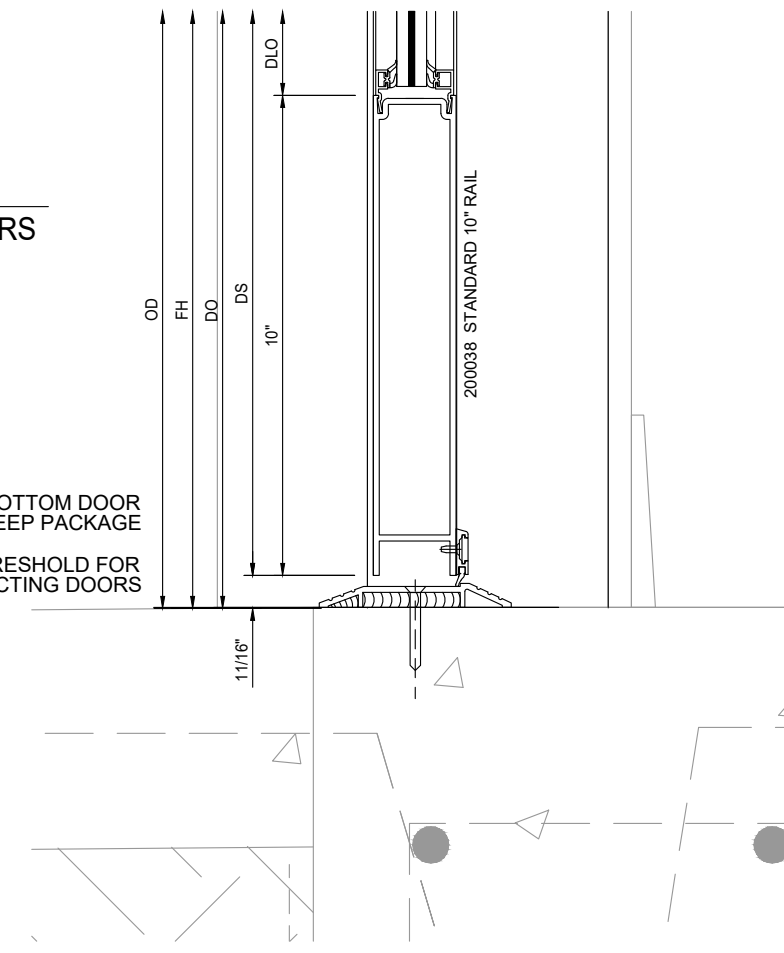
**02**

**BOTTOM RAIL**

KAWNEER 350 IR MEDIUM STILE ENTRANCE DOORS

200799 BOTTOM DOOR SWEEP PACKAGE  
 069139 THRESHOLD FOR SINGLE ACTING DOORS  
 200038 STANDARD 10" RAIL

200799 BOTTOM DOOR SWEEP PACKAGE  
 069139 THRESHOLD FOR SINGLE ACTING DOORS  
 200038 STANDARD 10" RAIL



NO.	DATE	BY	DESCRIPTION
1	04/11/22	fp	First Submittal

**EVINS GLASS SERVICE, INC**  
 101 N.P.I.D., CORPUS CHRISTI, TX 78406  
 WORK (361) 884-3995 FAX (361) 884-4262

PROJECT: JEWISH COMMUNITY CENTER  
**NEW CLASSROOM BUILDING**  
 ARCHITECT: LUDDEKE ARCHITECTURAL DESIGN GROUP  
 (361) 867-7628  
 GENERAL CONTRACTOR: SOUTH TEXAS BUILDING PARTNERS  
 (889) 298-6462

PROJECT NO. EGS-2204-01  
 DRAWN BY: fp DATE: 04/11/22  
 SCALE: 3" = 1'-0"  
 DRAWING: DETAILS  
 SHEET: D1